



**CYCLOPS**  
LIGHTING



**BOOMER 407**  
DATASHEET



**BOOMER 407** is a high-performance, weather-rated LED PAR designed for professional touring, outdoor events, and architectural applications. Powered by seven 40W RGBW 4-in-1 LEDs, it delivers vibrant color mixing and exceptionally bright output in a rugged, IP65-rated aluminum housing.

Equipped with a versatile motorized zoom ranging from 4.3° to 45°, the BOOMER 407 effortlessly transitions from a tight, punchy beam to a smooth, expansive wash. It features advanced control options including RDM, ID addressing, and four selectable dimming curves, ensuring seamless integration into complex lighting rigs. With its smart temperature management and magnetic frost filter, the BOOMER 407 offers the reliability and flexibility needed for the most demanding environments.

## SOURCE

---

Light Source	• 7x40W 4-in-1 RGBW LEDs
Color Temperature	• Includes 11 preset color temperature white modes: 2500K, 3000K, 3500K, 4000K, 4500K, 5000K, 6000K, 7000K, 8000K, 9000K, and 10000K

## OPTICAL SYSTEM

---

Zoom	• Motorized zoom
Zoom Range	• 4.3° to 45°
Filter	• Includes a magnetic frost filter

## COLORS

---

Color Mixing	• RGBW
Color Macros	• Includes 34+ color presets

## DYNAMIC EFFECTS

---

Effects	• Built-in color mixing, variable color chasing, strobing, and fading
Strobe	• Variable strobe speeds (slow to fast) and random strobe effects
Programs	• 13 internal Auto modes with adjustable speed

## CONTROL & PROGRAMMING

---

Display	• TFT display with four buttons and LCD Touch Screen
Control Channels	• 4, 5, 7, 13, 17 CHs
Control Protocols	• DMX 512, Master/Slave, Auto Run, and RDM
Dimming Curves	• 4 selectable dimming curves (Linear, Square Law, Inv. Squ. Law, S-Curve)
Temperature Control	• Smart monitoring with an on-screen temperature display
Fan	• Auto, Silent and Full functions

## ELECTRICAL

---

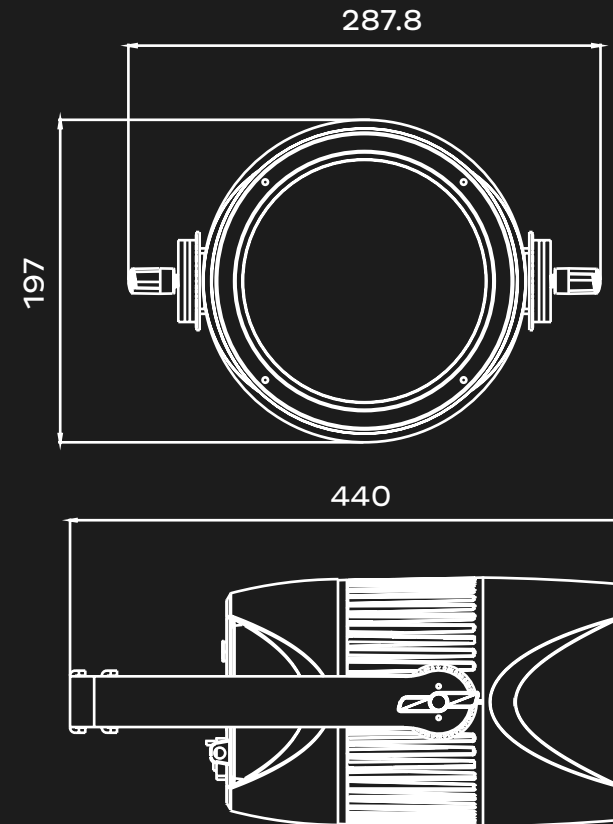
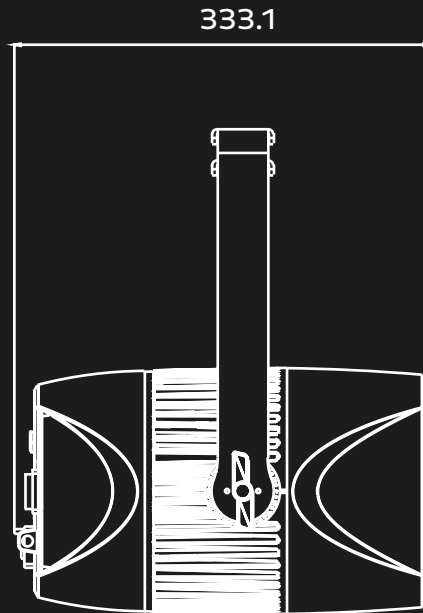
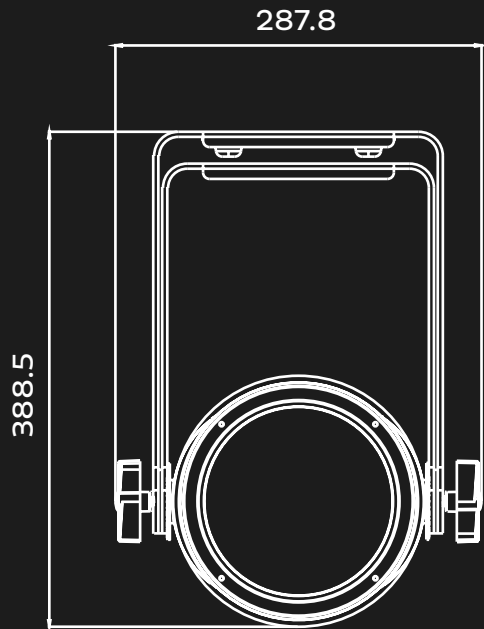
Input Voltage	• 100 - 240V / 50- 60Hz
Power Consumption	• 250W

**CONNECTIONS**

- Power Connections • Power cable (standard configuration not specified, likely PowerCON compatible based on industry standards)
- DMX Connections • 3-pin XLR (supports 5-pin via conversion adapter)

**PHYSICAL**

- Dimensions • 333 x 286 x 395.5 mm
- Net Weight • 7.56 Kg
- Housing • Aluminum
- Operating Temperature • -40°C / 45°C
- IP Rating • IP65





CYCLOPS  
LIGHTING

[www.cyclopslighting.com](http://www.cyclopslighting.com)