



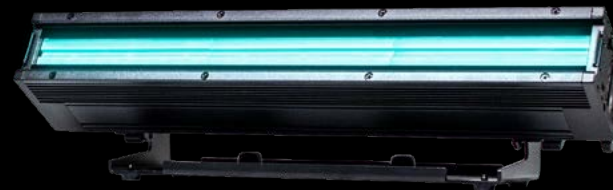
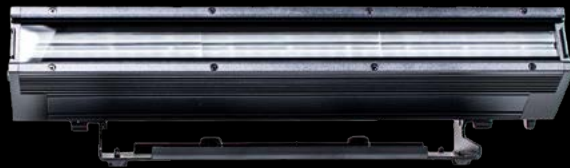
CYCLOPS
LIGHTING



LumiGo BAR300

DATASHEET

Download the App



LumiGo™ BAR300 is a high-performance, battery-powered outdoor LED bar featuring integrated LumenRadio CRMX wireless control and intuitive Vision Control App compatibility for effortless, cable-free customization.

Equipped with 32 individually pixel-controllable 8W RGBL LEDs (8 sections), LumiGo™ BAR300 delivers a powerful 3,452-lumen output with a native 30° beam angle and an expansive 110° field of view. Its IP65 rating ensures reliable performance in any outdoor environment, while its adjustable color temperature (2700K–8000K) makes it a versatile powerhouse for wash effects, architectural highlighting, and professional stage productions.

This creative flexibility is enhanced by the VISION CONTROL APP, which allows for comprehensive remote adjustments via iOS, Android, or Windows. For high-demand productions, the built-in LumenRadio CRMX receiver provides stable, real-time DMX management, eliminating complex cable runs and ensuring rapid deployment in fast-paced event environments.

SOURCE

| | |
|-------------------|------------------------------|
| Light Source | • 32 x 8W RGBL |
| Total Output | • 3,452 lm (all LEDs on) |
| Illuminance | • 1,171 lx @ 2m; 187 lx @ 5m |
| Color Temperature | • 2,700K to 8,000K |

OPTICAL SYSTEM

| | |
|------------|----------------|
| Beam Angle | • 30° (Native) |
| Spot Angle | • 110° |

MOVEMENT

| | |
|------|---------|
| Tilt | • 0-90° |
|------|---------|

COLORS

| | |
|--------------|----------------------------|
| Color Mixing | • RGBL |
| Color Macros | • 51 built-in color macros |

DYNAMIC EFFECTS

| | |
|------------------------|--|
| Variable Color Chasing | • 31 Auto programs with adjustable speed |
| Fade Effect | • Integrated fade control available in DMX modes |
| Strobe Effect | • 0 - 20Hz adjustable with multiple strobe modes (pulse, random, burst, sine wave) |
| Pixels | • 8 independent controllable sections |

CONTROL & PROGRAMMING

| | |
|-------------------|--|
| Display | • LCD Touch Screen with 4-button menu navigation |
| Control Channels | • 3 / 4 / 8 / 12 / 16 / 17 / 17D / 32 / 41 CHs |
| Control Protocols | • DMX 512, Master/Slave, Auto Run, CRMX Wireless DMX, Vision App control via Bluetooth |
| Dimming Curves | • 4 selectable dimming curves (Linear, Square Law, Inverse Square Law, S-Curve) |
| Programs | • 10 internal programs and 10 customizable programs |
| RDM | • RDM compliance (ANSI/ESTA E.1.20) |

THERMAL MANAGEMENT

| | |
|-----------------------|---|
| Operating Temperature | • -40°C / 45°C |
| Temperature Control | • Max. temperature setting (30-70°C) with automatic adjustment when exceeded. |

CONNECTIONS

- | | |
|-------------------|--|
| Power Connections | • DC Input 18V/5A (Adapter included) |
| DMX Connections | • Supports wired DMX and Wireless DMX (CRMX) |

BATTERY

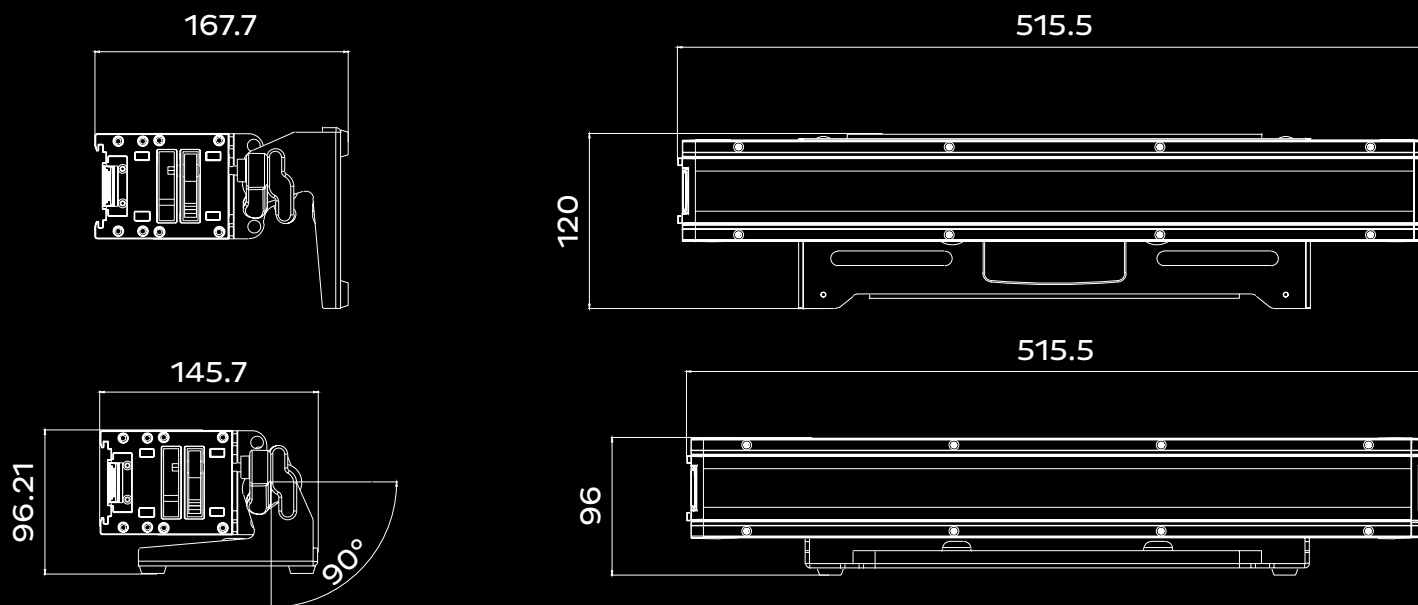
- | | |
|---------------------|--|
| Battery Performance | • 3-4 hours @ full light, 7 hours @ auto |
| Charging Time | • 10 Hrs |

ELECTRICAL

- | | |
|-------------------|-------------------|
| Input Voltage | • DC Input 18V/5A |
| Power Consumption | • 65W |

PHYSICAL

- | | |
|------------|----------------------|
| Dimensions | • 516 x 130 x 167 mm |
| Net Weight | • 4.4 Kg |
| IP Rating | • IP65 |



OPTIONAL ACCESSORIES

Square Base

CBASE-01

The **CBASE-01** is a heavy-duty square floor base designed to provide maximum stability for vertical installations of the Spectra Bar and Flash Bar series. Its low-profile, weighted steel construction ensures a secure foundation for upright mounting in both stage and architectural environments.

Base Adapter Plate A

CBASE-ADAPTER-A

The **CBASE-ADAPTER-A** is a precision-engineered mounting plate required to interface the **SPECTRABAR 600** and **LumiGo BAR300** with the CBASE-01 floor stand. It provides a secure, bolt-on connection that maintains the fixture's alignment and stability when positioned vertically.



CYCLOPS
LIGHTING

www.cyclopslighting.com