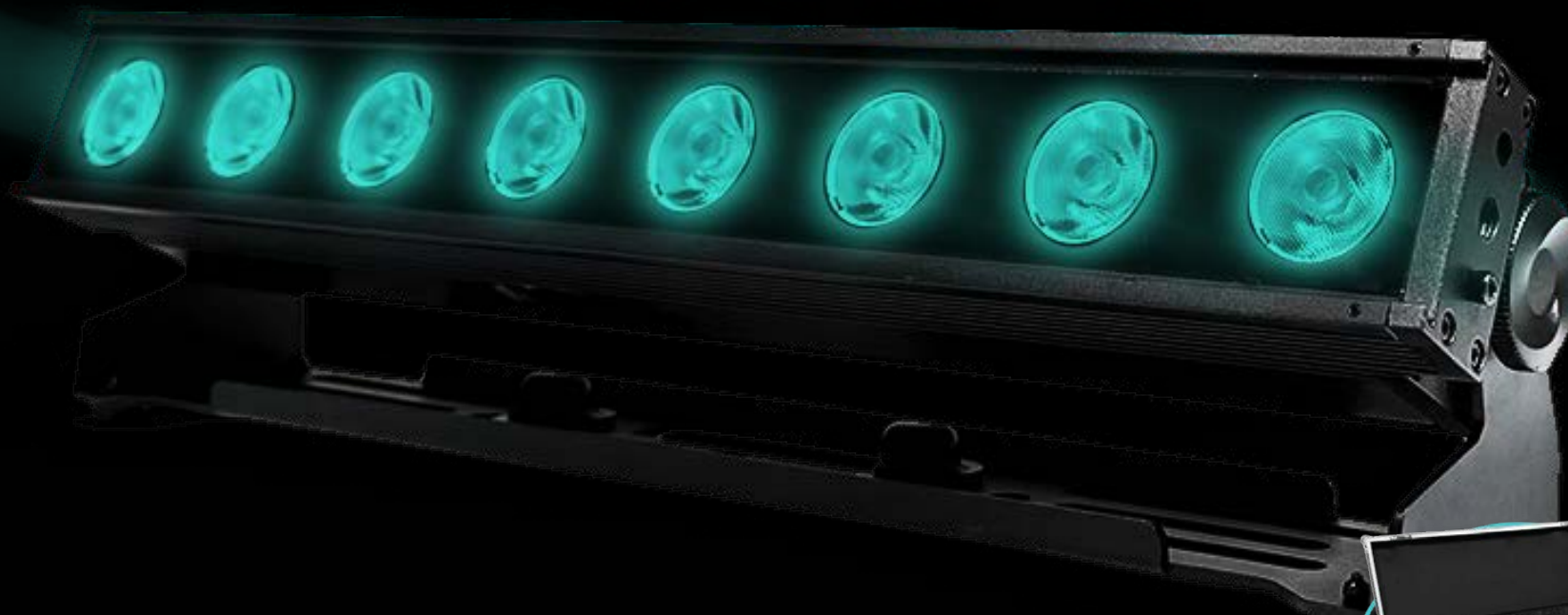




CYCLOPS
LIGHTING



LumiGo BAR810

DATASHEET



SKU: LGBAR810



[Download the App](#)



VISION CONTROL APP

LumiGo™ BAR810 is a **50cm battery-powered outdoor LED bar** featuring integrated CRMX wireless control and intuitive iOS, Android, and Windows application compatibility for effortless customization.

Equipped with eight **individually pixel-controllable 10W RGBW LEDs**, the LumiGo™ BAR810 delivers a bright and uniform wash with a native 20° beam angle. Its IP65 rating ensures reliable performance in any outdoor environment, making it a versatile fixture ideal for wash effects, stage illumination, and professional film lighting applications.

This versatility is enhanced by the **Vision Control App**, which allows for comprehensive remote adjustments across all major operating systems. For high-demand productions, the **built-in Lumen Radio CRMX receiver** provides stable, real-time DMX management, eliminating the need for complex cable runs and ensuring rapid deployment in fast-paced event environments.

SOURCE

Light Source	• 8x10W RGBW LED
Total Output	• 1,478 lm (all LEDs on), 294 lm (red), 629 lm (green), 103 lm (blue), white (495 lm)
Illuminance	• 4,402 Lux @ 2m, 704 Lux @ 5m, 275 Lux @ 8m, 179 Lux @ 10m
LED Life Expectancy	• 50,000 Hrs
Color Temperature	• 3000 to 10000K

OPTICAL SYSTEM

Beam Angle	• 20°
Spot Angle	• 10x60°

COLORS

Color Mixing	• RGBW
--------------	--------

DYNAMIC EFFECTS

Dimmer	• 0-100% linear adjustment
Strobe	• 0-20 Hz Electronic strobe

CONTROL & PROGRAMMING

Display	• TFT Display
Control Channels	• 3, 8, 12, 32, 37 CHs
Control Protocols	• DMX/RDM, CRMX Wireless DMX, iOS/Android/Windows Application control, Remote control, Manual
Dimming Curves	• 4 selectable dimming curves
LED Frequency	• 15kHz PWM for flicker-free performance and silent operation

THERMAL MANAGEMENT

Operating Temperature	• -20°~50°C
Humidity	• 0-98% Relative Humidity

BATTERY

Battery Life	• Up to 19H
Battery Usage	• 16 options selection between 4H to 19H with 1 hour increments (Battery Boost/4H/5H/6H/7H/8H/9H/10H/11H/12H/13H/14H/15H/16H/17H/18H/19H)
Battery Charge Time	• 5 - 6 Hrs

ELECTRICAL

Input Voltage • DC 15V
 Power Consumption • 58 W

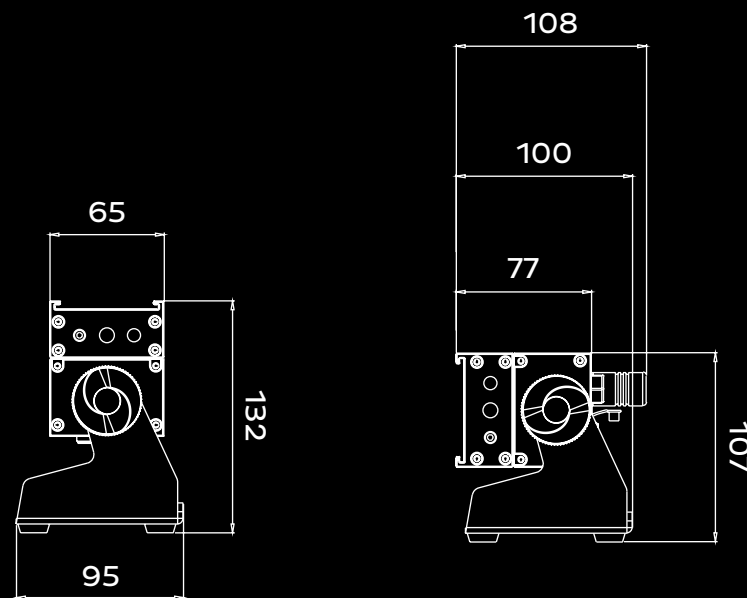
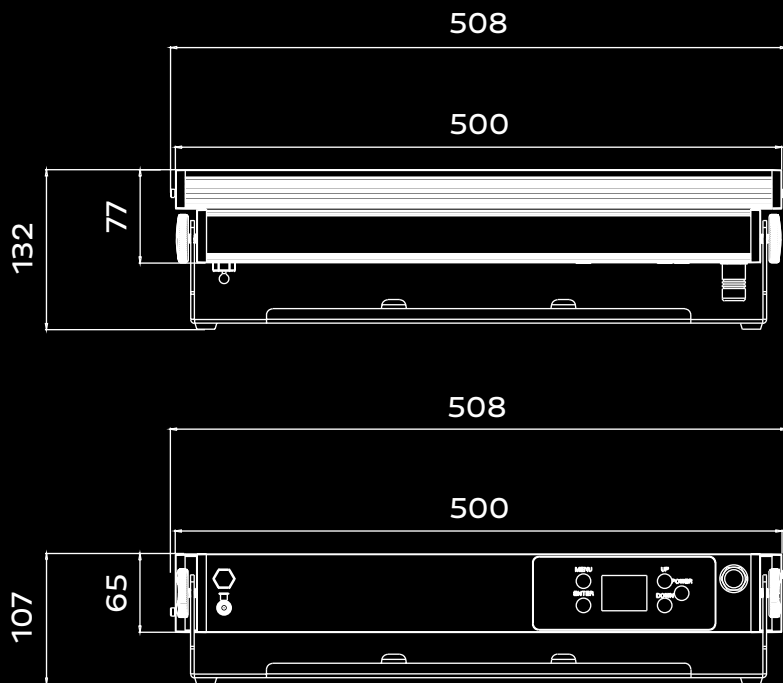
PHYSICAL

Dimensions • 500 x 95 x 132 mm
 Weight • 3.3 Kg
 Housing • Aluminum
 IP Rating • IP65
 IK Rating • IK07

Optional Accessories:

- Frost Filter 10°x60° (SKU: FF1060-LGBAR810)
- Flight Case (SKU: FC-LGBAR810)

AVAILABLE AS KIT (SKU: LGBAR810-KIT6)



SKU: LGBAR810-KIT6



The LumiGo™ BAR810 KIT is an all-in-one professional lighting solution designed for rapid deployment in high-demand environments. This comprehensive kit centers around six LumiGo™ BAR810 fixtures—versatile, 50cm battery-powered LED bars engineered for both architectural wash and professional film applications.

LumiGo BAR810

INCLUDES



6 x LumiGo™ BAR810
SKU: LGBAR810



6 x 10°x60° Magnetic Frost Filter
SKU: FF1060-LGBAR810



1 x Durable Flight Case
SKU: FC-LGBAR810

ACCESSORIES



Frost Filter 10°x60°
SKU: FF1060-LGBAR810



Flight Case
SKU: FC-LGBAR810

The 10°x60° frost filter attaches to the LumiGo BAR810, diffusing its native 20° beam angle to create a softer, wider, and more uniform wash of light, ideal for blending and stage washes.

The robust flight case is custom-designed to securely transport and protect up to six LumiGo BAR810, ensuring safe handling and storage between events and installations.



CYCLOPS
LIGHTING

www.cyclopslighting.com