



CYCLOPS
LIGHTING



LumiGo BOOK610

DATASHEET

AVAILABLE AS A KIT

SKU: LGWASH610



[Download the App](#)



VISION CONTROL APP

LumiGo™ BOOK610 is a compact, battery-operated outdoor LED wash designed for maximum portability and precision. Featuring a rugged, adjustable housing and IP65 rating, it delivers vibrant, saturated color through 6x10W RGBW LEDs with a sharp 12° beam angle, ensuring reliable performance in any weather. Control is seamless via the Vision Control App (iOS/Android/Windows) or the integrated LumenRadio CRMX wireless DMX receiver, eliminating complex cable runs for fast-paced setups. LumiGo™ BOOK610 is available as an 8-unit professional set, providing a complete, easy-to-transport lighting solution for festivals, events, and installations.

SOURCE

Light Source	• 6x10W RGBW LED
Light Output	• 1,358 lumens (all LEDs on), 292 lumens (red), 534 lumens (green), 94 lumens (blue), 625 lumens (white)
Illuminance	• 4,712 Lux @ 2m, 754 Lux @ 5m, 295 Lux @ 8m, 89 Lux @ 10m
LED Life Expectancy	• 50,000 h

OPTICAL SYSTEM

Beam Angle	• 20°
------------	-------

COLORS

Color Mixing	• RGBW
Color Temperature	• 3000 - 10000 K

DYNAMIC EFFECTS

Dimmer	• 0-100% linear adjustment
Strobe	• Electronic Strobe, 0-20 Hz

CONTROL & PROGRAMMING

Display	• LCD
Control Channels	• 2, 3, 5, 8, 11, 15 CHs
Control Protocols	• DMX/RDM, CRMX Wireless DMX, iOS/Android/Windows Application control, Remote control, Manual
Dimming Curves	• 4 selectable dimming curves

THERMAL MANAGEMENT

Operating Temperature	• -20° / 50°
Humidity	• 98%

BATTERY

Battery Life	• up to 19h (selection between 4h to 19h with 1 hour increments)
Battery Charge Time	• 4.5 h

ELECTRICAL

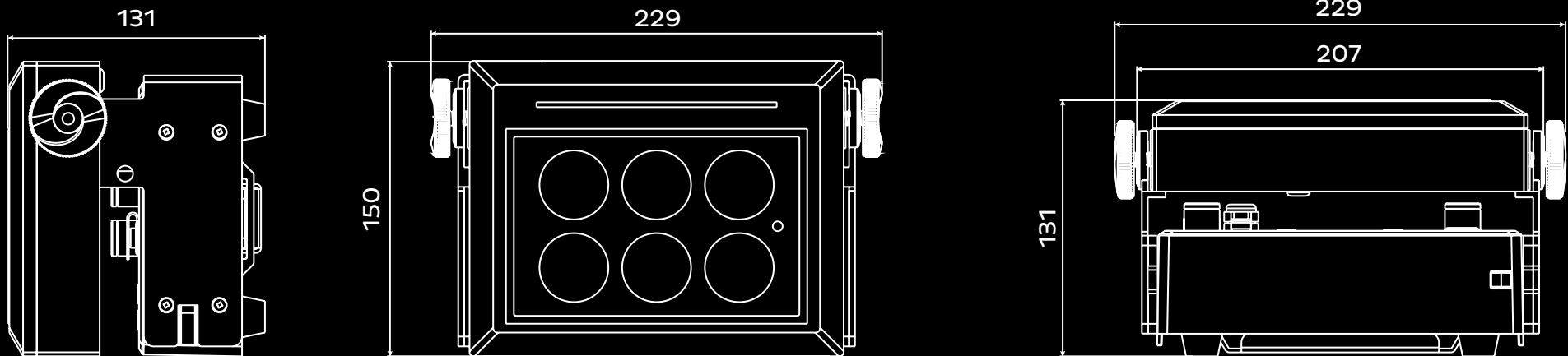
Input Voltage	• DC 18V-20V
Power Consumption	• 53W
LED PWM Frequency	• 600/1.2K/2.4K/4.8K/12K/18K Hz

PHYSICAL

Dimensions	• 225 x 150 x 130.5 mm
Weight (N.W.)	• 3.3 Kg
Housing	• Aluminum
Housing Color	• Black
IP Rating	• IP65
IK Rating	• IK07

Optional Accessories:

- Frost Filter (Optional): 15° (SKU: FF15-LGWASH610)
- Flight Case (SKU: FC-LGWASH610)

AVAILABLE AS KIT (SKU: LGWASH610-KIT6)

SKU: LGBAR810-KIT6



The LumiGo™ BOOK610 KIT is an all-in-one professional lighting solution designed for rapid deployment in high-demand environments. This comprehensive kit centers around six LumiGo™ BOOK610 fixtures—compact, battery-operated outdoor LEDs engineered for both architectural wash and professional film applications.

LumiGo BOOK610

CYCLOPS
LIGHTING

INCLUDES



6 x LumiGo™ Book610
LGWASH610

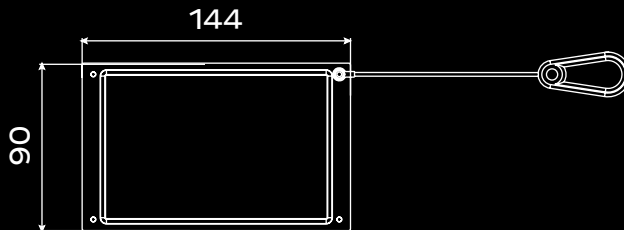


6 x Magnetic Frost Filter 15°
FF15-LGWASH610



1 x Flight Case
FC-LGWASH610

ACCESSORIES



Frost Filter
FF15-LGWASH610



Flight Case
FC-LGWASH610

The LumiGo™ BOOK610 kit includes magnetic frost filters designed to enhance the fixture's versatility. These filters magnetically attach to the LED wash, diffusing the sharp 12° beam to create a wider, softer light spread. This allows for smoother transitions and a more even wash, ideal for applications requiring a gentler illumination or broader coverage, such as ambient lighting or stage fills. The magnetic design ensures quick, tool-free installation, enabling rapid adjustments to the light effect on-site.

The Flight Case protects the LumiGo™ BOOK610 fixtures and accessories during transport. It integrates a charging box for efficient charging. This streamlines setup, ensuring reliable power for extended use, while keeping equipment organized and secure in a single, compact unit.

LumiGo



CYCLOPS
LIGHTING

www.cyclopslighting.com