



CYCLOPS
LIGHTING



LumiGo PAR404

DATASHEET



The LumiGo PAR404 is a professional, **battery-operated IP65 LED wash light** designed for ultimate versatility. Featuring **4 x 20W RGBL LEDs**, it delivers 3,150 lumens of high-quality color mixing and adjustable color temperatures from 3000K to 10000K. Built for both indoor and outdoor use, it offers **up to 24 hours of operation on a single charge** and features integrated wireless CRMX and Bluetooth app control for a completely cable-free setup. With its compact aluminum housing and silent operation, it is the ideal solution for quick-deploy event lighting, architectural highlights, and high-performance mobile applications.

SOURCE

Light Source	• 4 x 20W RGBL
Total Output	• 3,150 lm
Illuminance	• 8,574 lx @ 2m • 1,372 lx @ 5m • 343 lx @ 10m
Color Temperature	• 3000K – 10000K

OPTICAL SYSTEM

Native Beam Angle	• 20°
Spot Angle	• 25°

MOVEMENT

Tilt	• 0 – 360° adjustable with a removable stand
------	--

COLORS

Color Mixing	• RGBL
Presets	• 51 different static colors

DYNAMIC EFFECTS

Strobe Effect	• 0 – 20Hz adjustable
Internal Programs	• 10 internal programs and 12 Auto modes
Customization	• 10 customizable programs

CONTROL & PROGRAMMING

Display	• LCD Touch Screen with menu navigation buttons (Menu, Up, Down, Enter)
Control Channels	• 2 / HSV / 5 / 8 / 11 / 15 CHs
Control Protocols	• DMX 512, Master/Slave, Auto Run, Wireless CRMX (optional), and Vision App (Bluetooth)
Dimming Curves	• 4 selectable dimming curves (Linear, Square Law, Inv Square Law, S-Curve)
PWM Frequency	• Adjustable from 6K to 18KHz

THERMAL MANAGEMENT

Operating Temperature	• -40°C to 40°C
Temperature Control	• Smart automatic adjustment

CONNECTIONS

Power Connections	• DC Input 18V / 5A
Data Connections	• Wireless DMX from Sweden; Bluetooth for Vision App control

BATTERY

Battery Life	• 4 hours at full light
Battery Usage	• Up to 24 hours in power-saving "Battery Boost" modes
Battery Charge Time	• 4.5 hours

ELECTRICAL

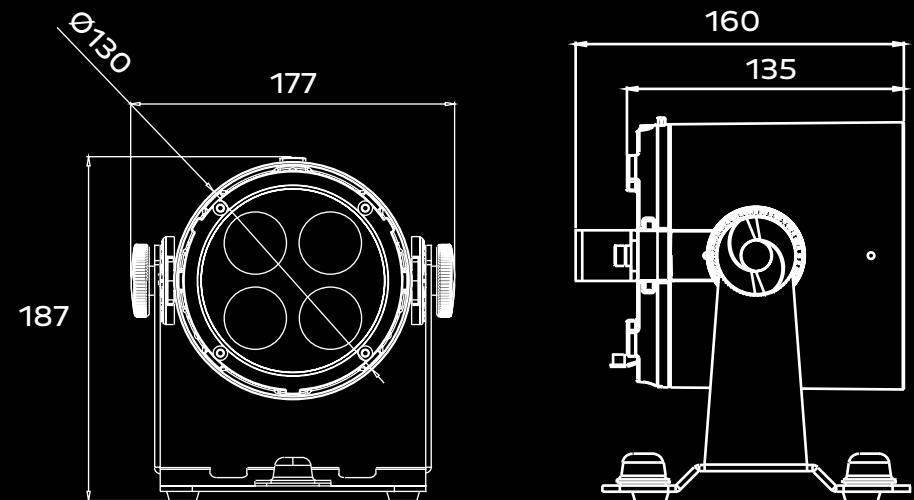
Power Consumption	• 50W
-------------------	-------

PHYSICAL

Dimensions	• 177 x 160 x 187 mm
Net Weight	• 2.87 Kg
IP Rating	• IP65

ACCESSORIES (Optional)

Hanging plate, Half-Antiglare barndoor, Magnetic Frost filter, Bat Ball, Bat Tube (15/50cm), and Bat slivery cover



OPTIONAL ACCESSORIES

Flight Case

FC-LGPAR404

The **FC-LGPAR404** is a rugged, custom-lined transport solution designed to protect multiple LumiGo PAR404 units. Featuring reinforced hardware and precision foam inserts, it ensures your fixtures remain secure and impact-resistant during touring or local transport.

Magnetic Frost Filter

FF20-LGPAR404

The **FF20-LGPAR404** series offers rapid beam customization with magnetic attachments available in **20°, 40°, or 10x60°** spreads. These filters instantly soften the 6-in-1 LED output, allowing for seamless transitions from a tight spot to a smooth, homogenized wash.

Barndoor

BD-LGPAR404

The **BD-LGPAR404** provides essential glare and spill control with adjustable leaves. This durable accessory allows for precise beam shaping, ensuring light is directed exactly onto the target while shielding the audience or cameras from direct LED flare.

Top Balls

TOPB-LGPAR404

The **TOPB-LGPAR404** transforms the fixture into a decorative, 360-degree glowing orb. Perfect for immersive event design, these spherical diffusers catch the PAR404's internal colors to create a soft, omnidirectional ambient light effect.

Extension Tubes (15cm / 50cm)

TOPT15 / TOPT50

Available in **15cm and 50cm** lengths, these **Top Tubes** convert the PAR404 into a glowing architectural pillar. They diffuse light along the entire cylinder, creating modern vertical accents for stage sets, galleries, or upscale event lounge areas.

Chrome Mirror Cover

COVER-C-LGPAR404

The **COVER-C-LGPAR404** is a high-polish chrome plate that allows the fixture to blend into high-end environments by reflecting its surroundings. This "mirror" finish effectively hides the fixture body for a sleek, nearly invisible installation when not in use.

White Mirror Cover

COVER-W-LGPAR404

The **COVER-W-LGPAR404** provides a clean, minimalist white aesthetic ideal for weddings and gallery spaces. This sleek cover ensures the fixture body complements bright interiors, maintaining a professional and low-profile appearance that matches white-themed decor.



CYCLOPS
LIGHTING

www.cyclopslighting.com