

TT Rectangular Truss

Pre Rig Truss for huge loads and long spans

The ultimate Pre Rig Truss for spans up to 40m

TT RECTANGULAR TRUSS

The TT Truss lends itself to use as bending resistant spans at a free span of 30m with extreme load bearing capacity, even at spans up to 40m the TT Truss has impressive results.

Due to its special shape and dimensions the TT Truss exhibits a great rigidity and can thus be used for long spans with high loadings. The 60x5mm tube reduces transportation damage and guarantees extreme durability.

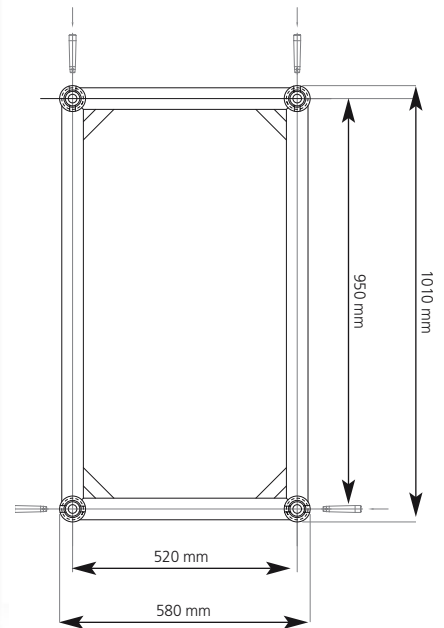
Trussing with a big profile geometry have long braces which have a risk of bending.

Therefore it is necessary to use bracing with a bigger diameter. This causes other problems which needs to be considered.

The Eurotruss solution is to weld a plate at the main tube in order to get the right position of the braces and solve the high tension caused by too much heat. This way of constructing is not new as in large steel structures this is a common way to construct.

Made with the fast connection system and approved according the DIN 4113 specifications by the TUV.

Dimensions TT



TT-TRUSS

FACTS

- Tolerance free conical connector
- High stability aluminium alloy
- Excellent load bearing capacity
- Low dead weight
- High wear resistance
- TuV approved
- 5mm Wall thickness of 60mm main tube



Measurements TT

Main tube:	60x 5mm
Braces:	50x 3mm / 30x 3mm
Material:	EN AW-6082 T6
Connection:	CS3-CON
Weight:	~25 kg/m

Loadcases TT

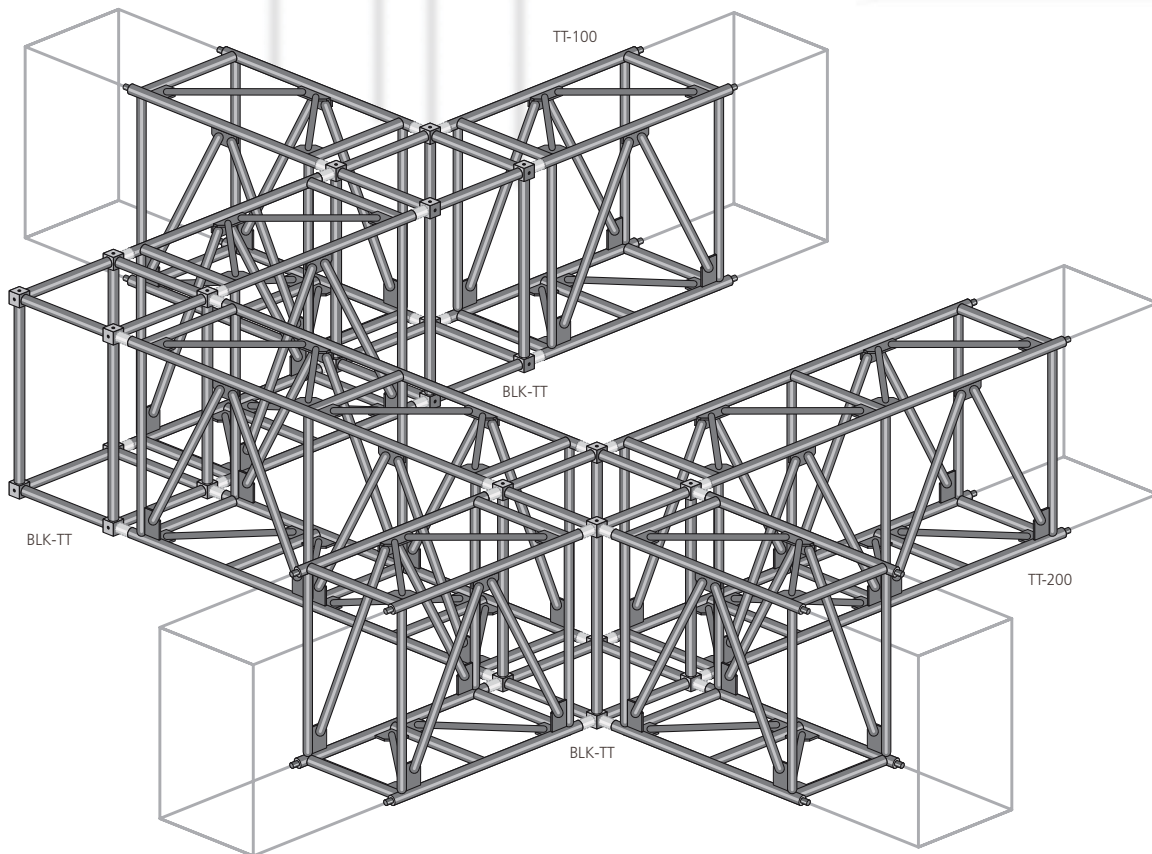
Length (m)	12	16	20	24	28	32	36	40
CPL in kg	4310	3143	2423	1926	1556	1266	1029	829
Deflection (mm)	29	52	82	119	164	217	279	351
UDL in kg/mtr	634	393	242	160	111	79	57	41
Deflection (mm)	31	60	91	124	160	194	224	248

TT Rectangular Truss

TT Corner Block allows various shapes



One level construction



TT-SYSTEM CORNER

The TT-System structures on one level allows various structural shapes by using the TT Corner Block.

The TT corner block is made according to the strength requirements and optimum size to use the corner block also as sleeve blocks in TT Roofs Ground-supports.

The TT corner blocks have a standard bold on receiver attachment of a length of 85mm.

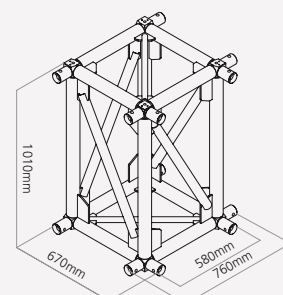
Complementary accessories and the article codes of the TT System can be found at the page 160.

Measurement Corners for TT-System

Corner	Size in cm
2-Way BLK-TT	67 x 67
3-Way BLK-TT	76 x 67
4-Way BLK-TT	76 x 76
BLK-TT	90° in 4 dir.

Receiver	Size in cm
CS3-BOB85	85mm *

*4 pcs. required for one attachment



TT
XT
FT100
ST
FT50
XD