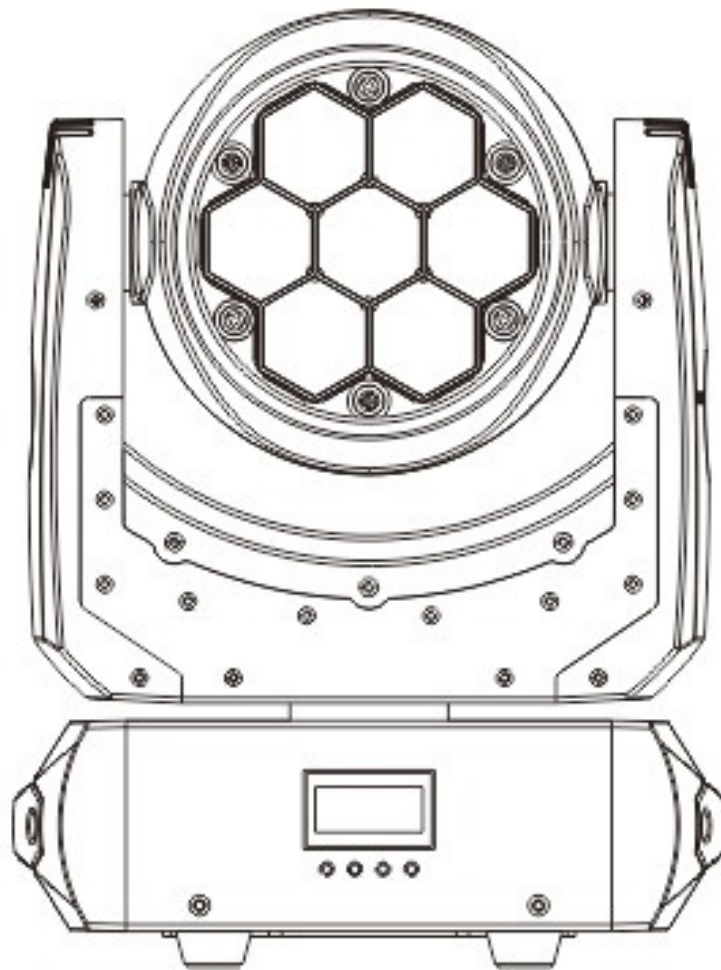


USER MANUAL

SPARKLY WASH 7

7x15W RGBW LED Wash Moving Head



Product
Documentation

Content

1.Content.....	02
2.Safety Information.....	03
3.Product Parts.....	04
4.Size.....	04
5.Specification.....	04
6. Control Panel Menu.....	06
7. DMX Chart.....	07

2. SAFETY INFORMATION

Safety Warning: This product is only suitable for professional use, and does not apply to security for other purposes. When you got the lights, please check the package whether have any damage caused by transportation. If there is any damage, do not use this fixture, and please contact the dealer or manufacturer as soon as possible. This product is only suitable for indoor, IP20 protection class. Lamps should be kept dry to avoid Moisture, overheating or dusty environment. Prevent lamps come into contact with water or any other liquid. The use of this product should pay attention to: fire, heat, electric shock, ultraviolet radiation, the lamp to explode or Shedding caused serious or fatal injury. Please read the instructions before use energized or installing. Follow through the operation of security methods and pay attention to the warning signs on the specification and equipment.

2.1 ANTI-HIGH TEMPERATURE

$t_a = 40^{\circ}\text{C}$

Please don't use the equipment if the temperature above 40°C



2.2 TO PREVENT FALLING WOUNDING

When hang the fixture, please must verify that the facilities to be able to withstand at least 10 times or more weight of fixtures.

Please make sure the Mounting hardware is strong enough no any damage, and insurance for the safety rope as auxiliary security fixed in other facilities will need to verify before installation. Installing or removing the equipment, to make the pulley below the work location

2.3 UA PROTECTION

Forbid straight viewpoint with exposed bulbs to avoid UV damage to the eyes;
Do not use the equipment without the lens screen and the lid;
The lens and the light head covers should be timely replaced if any damage to rupture.

2.4 PREVENTION OF ELECTIC SHOCK



The electrical connection must only be carried out with corresponding qualifications;
Before installing, make sure you use the power voltage lamps must comply with the identified power, voltage and have an overload or leakage protection;

Each fixture must be properly grounded, installed in accordance with the relevant standards;

Cut off the power when stall or replace the lamp and the fuse;

Forbid using the fixture in storm or wet environment.



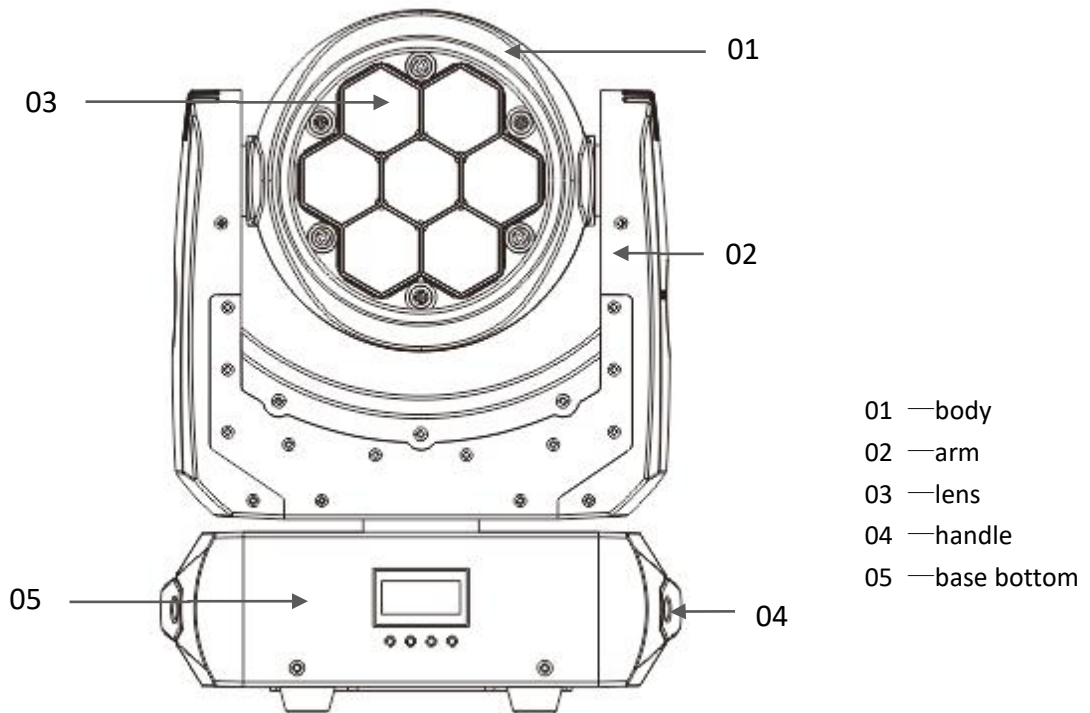
2.5 TO PREVENT BURNING OR FIRE



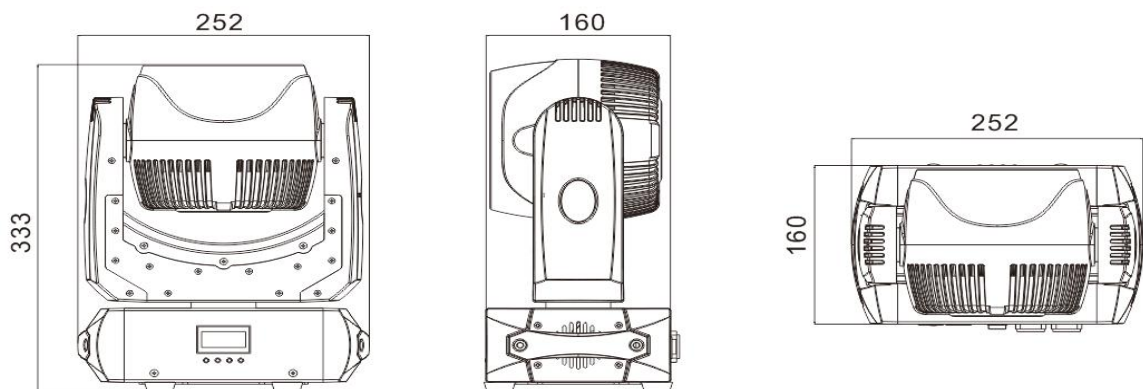
1. The fixture can't be mounted directly on the surface of ordinary combustible material.

2. The equipment must be installed away from inflammable and explosive materials.
3. The highest temperature is 40 ° C when the equipment is in stable state.
4. The equipment cannot have an obstacle at least in the range of 0.5 meters.
5. Do not replace the non-original parts.

3. PRODUCT PARTS



4. SIZE



5. SPECIFICATION

Channels mode: 14/25/42 CH;

Lamp: 15W RGBW 4in1 LED;

power: 110-240V,50/60Hz;

Total power: 180W;

Display: LCD screen display, can reverse 180°;

Lens: French lens, 8 degrees;

Zoom angel: 7.9-38°;

Dimmer: 0-100% linear adjustment;

Pan: 540°; 8Bit/16Bit;

Tilt: 270°; 8Bit/16Bit;

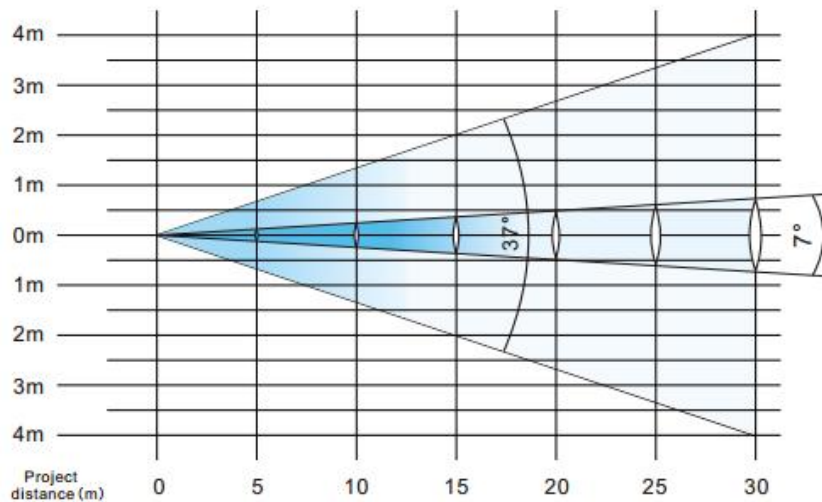
3-phase motor for Pan/Tilt fast moving speed & noiseless;

IP Rate: IP20;

Flight case: 740x400x490 mm; carton: 460x305x420 mm;

Net weight: 12 KG;

LUMINOUS DIAGRAM



DISTANCE	10m		20m		30m	
ILLUMINATION	629	67	157	17	70	7
SPOT SIZE	Φ 1.24m	Φ 6.53m zoom	Φ 2.48m	Φ 13.07m zoom	Φ 3.71m	Φ 19.60m zoom

6. CONTROL PANEL MENU

LCD DISPLAY CONTENTS

	Main Menu		Function-option	Function Summary
1	Address		001-512	DMX address code
2	Run Mod		Slave	Slave mode
			Auto	Automatic operation mode
			Sond	Voice control operation mode
3	ChanMod		14CH	14CH
			25CH	25CH
			42CH	42CH
4	Display	LigtOff	Ligh	backlight keeps on
			1Min	backlight off in 1 minutes
			2Min	backlight off in 2 minutes
			3Min	backlight off in 3 minutes
		MenuBak	Off	close menu to return automatically
			1Min	The menu returns in 1 minute
			2Min	The menu returns in 2 minute
		LigtFlh	Off	Closing backlight flashing
			On	open backlight flashing
5	Tool	L Brand	CN	Cree led
			OSM	Cree led
		Balance	WhiteSW	White balance switch
			Red (50—255)	The white balance red
			Green(50—255)	The white balance of green
			Blue (50—255)	The white balance blue
		White(50—255)	white balance	
		SundHig	0-16	Acoustic sensitivity
		DmxClea	Off	No signal data holding
			On	No signal data reset
DefCfig	Off	Keep current		
	On	Reset to default		
6	PT Sett	Pan Cal	0-255	Pan Scan Normal
		TiltCal	0-255	Tilt Scan Normal
		Pan Rev	Off	Pan Scan Reverse
			On	Pan reverse open
		TiltRev	Off	Tilt Scan Reverse
			On	Tilt reverse open
		PT Opto	Off	Pan/Tilt optical sensor testing off
			On	Pan/Tilt optical sensor testing on

7	Manual	Strobe	0-255	strobe
		Dimmer		dimming
		Pan		horizontal rotation
		Pan Fin		Horizontal vernier
		Tilt		vertical turn
		TiltFin		Vertical turning fine adjustment
		Func		Faction set
		ColourM		Color temperature/color
		Red		Red
		Green		Green
		Blue		Blue
		White		white
		ColourF		color gradient
		Gobo		LED Graph
		ShapeSL		Built-in effect
		ShapeSP		Effect of speed
		ShapeFD		Effects of fading
		ShapeR		Effect of red
		ShapeG		Effect of green
		ShapeB		Effect of blue
ShapeW	Effect of white			
ShapeD	Effect of dimming			
BlackD	Effect of backlight			
Reserv	reserved			
8	Info	RunTime	0000-9999	Lamp service time
		DisVers	Vx.xx	Version of display software
		M1 Vers	Vx.xx	Lamp bead drive software version
		Temp	0-125	Lamp bead aluminum substrate temperature

7. DMX CHART

Channel List					
14CH	25CH	42CH	Function	DMX value	Description
1	1	1	Strobe	0 -19	Strobe OFF
				20 -24	Strobe ON
				25 -64	Strobe Fast-Slow
				65 -69	Strobe ON
				70 -84	Slow input Strobe Fast-Slow
				85 -89	Strobe ON

				90 -104	Slow output Strobe Fast-Slow
				105-109	Strobe ON
				110-124	Random Strobe Fast-Slow
				125-129	Strobe ON
				130-144	Random Slow input Strobe Fast-Slow
				145-149	Strobe ON
				150-164	Random Slow output Strobe Fast-Slow
				165-169	Strobe ON
				170-184	Pulse Strobe Fast-Slow
				185-189	Strobe ON
				190-204	Random Pulse Strobe Fast-Slow
				205-209	Strobe ON
				210-224	Strobe Fast-Slow
				225-229	Strobe ON
				230-244	Exposure Strobe Fast-Slow
				245-255	Strobe ON
2	2	2	Dimmer	0 -255	Linear Dimmer Dark-Bright
3	3	3	Focus	0 -255	Linear Focus
4	4	4	Pan Rotation	0 -255	0~540 degree
5	5	5	Pan Fine	0 -255	Pan Fine
6	6	6	Tilt Rotation	0 -255	0~270 degree
7	7	7	Tilt Fine	0 -255	Tilt Fine
8	8	8	Function set	0 -9	No function
				10 -14	Whole light Reset
				15 -39	No function
				40 -44	XY Normal mode
				45 -49	XY Fast mode
				50 -54	XY Slow mode
				55-255	No function
9	9	9	Color temperature or color	0 -9	No function
				10 -14	Moroccan Pink
				15 -19	Pink
				20 -24	Special rose Pink
				25 -29	Follies Pink
				30 -34	Fuchsia Pink
				35 -39	Surprise Pink
				40 -44	Congo Blue
				45 -49	Tokyo Blue
				50 -54	Deep Blue
55 -59	Just Blue				

				60 -64	Medium Blue
				65 -69	Double CT Blue
				70 -74	State Blue
				75 -79	Full CT Blue
				80 -84	Half CT Blue
				85 -89	Steel Blue
				90 -94	Lighter Blue
				95 -99	Light Blue
				100-104	Medium Blue Green
				105-109	Dark Green
				110-114	Primary Green
				115-119	Moss Green
				120-124	Fern Green
				125-129	JAS Green
				130-134	Lime Green
				135-139	Spring Yellow
				140-144	Deep Amber
				145-149	Chrome Orange
				150-154	Orange
				155-159	Gold Amber
				160-164	Millennium Gold
				165-169	Deep Golden Amber
				170-174	Flame Red
				115-179	
				180-201	Color clockwise runs from fast to slow
				202-207	Stop
				208-229	Color anticlockwise run from slow to fast
				230-234	No function
				235-249	Random color Fast-Slow
				250-255	No function
10	10	10	Red beam	0-255	Red Dimmer Dark-Bright
11	11	11	Green beam	0-255	Green Dimmer Dark-Bright
12	12	12	Blue beam	0-255	blue dark - bright
13	13	13	White beam	0-255	white dark- bright
14	14	14	Color slow change	0 -7	--F82
				8 -39	Red to Yellow
				40 -71	Yellow to Green
				72 -103	Green to Cyan
				104-135	Cyan to Blue
				136-167	Blue to Magenta

				168-199	Magenta to Red
				200-231	Red to White
				232-255	Color change slow - fast
	15	LED gobo		0 -4	-F91
				5 -9	Gobo 1
				10 -14	Gobo 2
				15 -19	Gobo 3
				20 -24	Gobo 4
			
				185 -189	Gobo 37
				190 -194	Gobo 38
				195 -199	Gobo 39
				200 -204	Gobo 40
				205 -224	Gobo clockwise run from fast to slow
				225 -234	Stop
				235 -255	Gobo anticlockwise run from slow to fast
	16	Built-in effects		0 -4	No function
				5 -19	LED built-in effect1
				20 -39	LED built-in effect2
				40 -59	LED built-in effect3
				60 -79	LED built-in effect4
			
				150-169	LED built-in effect7
				160-179	LED built-in effect8
				180-199	LED built-in effect9
				200-219	LED built-in effect10
				220-255	Switch Auto. after 1 minute
	17		Effect speed	0 -255	LED built-in effect speed Slow-Fast
	18		Effect slow input	0 -255	LED built-in effects Gradient Overlay
	19		Effect red	0 -255	Red Dimmer Dark-Bright
	20		Effect green	0 -255	Green Dimmer Dark-Bright
	21		Effect blue	0 -255	Blue Dimmer Dark-Bright
	22		Effect white	0 -255	White Dimmer Dark-Bright
	23		Effect Dimmer	0 -255	Dimmer Dark-Bright
	24		Effect backlight	0 -255	Dimmer Dark-Bright
	25		Reserve	0 -255	
		15	R1Dimmer	0 -255	R1Dimmer Dark-Bright

		16	G1Dimmer	0 -255	G1Dimmer Dark-Bright
		17	B1Dimmer	0 -255	B1Dimmer Dark-Bright
		18	W1Dimmer	0 -255	W1Dimmer Dark-Bright
		
		38	R7Dimmer	0 -255	R7Dimmer Dark-Bright
		39	G7Dimmer	0 -255	G7Dimmer Dark-Bright
		40	G7Dimmer	0 -255	G7Dimmer Dark-Bright
		42	W7Dimmer	0 -255	W7Dimmer Dark-Bright

CYCLOPS
LIGHTING



www.cyclopslighting.com