

# DECO series



## DECO-40-T-LP

DAS Audio Group, S.L. - C/ Islas Baleares 24 - 46988  
Fuente del Jarro - Valencia - Spain - Tel. +34961340860  
Updated (DD/MM/YYYY): 08/08/2024



## KEY FEATURES

- 2-way 4" Coaxial High-Performance Ceiling System.
- Low Profile Design: 99 mm depth for shallow ceilings.
- Multi-tap transformer 8 ohm & 70V/100V.
- Auto-locking tabs for secure, hands-free mounting.
- Front selector for hassle-free power adjustments.
- Frameless grille design, available in white or black.

## DESCRIPTION

The DECO-40-T-LP is a sophisticated low-profile ceiling speaker system engineered for applications with limited plenum space. Featuring a sturdy steel enclosure and a polypropylene front, it provides 125° conical coverage. Engineered for adaptability, it is equipped with a 4-way Phoenix connector for easy parallel connections. The DECO-40-T-LP operates at 8-ohm nominal impedance or in a 100V line system, with tap settings of 10W, 20W, and 30W accessible at the front. With an RMS power handling of 50W and peak power of 200W, and a maximum peak SPL of 110 dB, it delivers clear and powerful sound.

Its compact design, with a total depth of 110 mm (4.3 in) and recessed backcan depth of just 99 mm (3.9 in), allows straightforward installation in ceilings with minimal clearance. Measuring 220 x 220 x 110 mm and weighing 2.7 kg (5.9 lb), it strikes a balance between size, power, and aesthetic discretion. Available in black and white finishes, the DECO series seamlessly matches any interior design.

For optimal performance, pair the DECO-40-T-LP with the INTEGRAL-A402 or INTEGRAL-A404 amplifiers. Using the Integral Matrix and processors, fully compatible with ALMA™, enhances the speakers' capabilities through custom presets and comprehensive monitoring and control, ensuring effortless system management and maximum audio quality.

The modeling data for DECO-40-T / DECO-40-LP / DECO-65-T / DECO-80-T / DECO-80-TS are valid for EASE Focus, EASE Evac, and EASE Address.

# DECO-40-T-LP

---

DAS Audio Group, S.L. - C/ Islas Baleares 24 - 46988  
Fuente del Jarro - Valencia - Spain - Tel. +34961340860  
Updated (DD/MM/YYYY): 08/08/2024



SOUND WITH SOUL

## SPECIFICATIONS

### Performance

Frequency Range (-10 dB)	110 Hz – 20 kHz
Nominal Impedance	8 ohms
Conical Coverage <sup>1</sup>	125°
Transformer Taps 70 V	8 Ω / 5 W / 10 W / 15 W
Transformer Taps 100 V	8 Ω / 10 W / 20 W / 30 W
RMS Power Handling	50 W
Peak Power Handling	200 W
On-axis Sensitivity 1W/1 m	87 dB SPL
Maximum Peak SPL at 1 m	110 dB
Recommended Amplifier	INTEGRAL-A402
	INTEGRAL-A404
	INTEGRAL-A1002
	INTEGRAL-A1004
	INTEGRAL-A1602
	INTEGRAL-A1604
	INTEGRAL-MA1004 INTEGRAL-MA1604
Recommended Processor	INTEGRAL-M88
	INTEGRAL-MA1604
	INTEGRAL-MA1004 INTEGRAL-M26X

1. Average from 500 Hz – 4 kHz

### Connectors

Audio Input Connector	4-way Phoenix 3.8 mm
-----------------------	----------------------

# DECO-40-T-LP

DAS Audio Group, S.L. - C/ Islas Baleares 24 - 46988  
Fuente del Jarro - Valencia - Spain - Tel. +34961340860  
Updated (DD/MM/YYYY): 08/08/2024

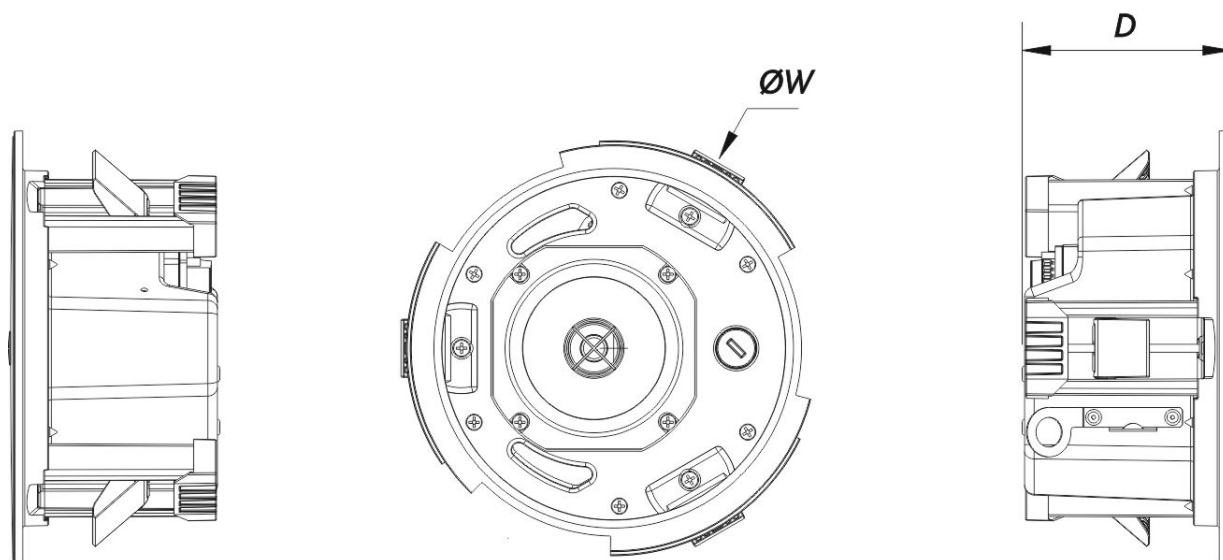


SOUND WITH SOUL

## Enclosure

Enclosure Geometry	Round
Cut Out Diameter	185 mm (7,3 in)
Depth	110 mm (4,3 in)
Dimensions ( H x W x D )	220 x 220 x 110 mm 8,7 x 8,7 x 4,3 in
Net Weight	2,3 kg ( 5,0 lb )

## DIMENSIONS



## ORDERING INFORMATION

Model	Description	P/N
System		
DECO-40-T-LP		10213221

# DECO-40-T-LP

DAS Audio Group, S.L. - C/ Islas Baleares 24 - 46988  
Fuente del Jarro - Valencia - Spain - Tel. +34961340860  
Updated (DD/MM/YYYY): 08/08/2024



SOUND WITH SOUL

## Accessories

KIT-IP-DECO	Installation & Stacking Acc.	20301010
SP-PRE-DECO-40T	Installation & Stacking Acc.	10213300

# DECO-40-T-LP

DAS Audio Group, S.L. - C/ Islas Baleares 24 - 46988  
Fuente del Jarro - Valencia - Spain - Tel. +34961340860  
Updated (DD/MM/YYYY): 08/08/2024



SOUND WITH SOUL