

DECO series



DECO-80-T

DAS Audio Group, S.L. - C/ Islas Baleares 24 - 46988
Fuente del Jarro - Valencia - Spain - Tel. +34961340860
Updated (DD/MM/YYYY): 08/10/2024



KEY FEATURES

- 2-way 8" Coaxial High-Performance Ceiling System.
- Full-range speaker: 70 Hz – 20 kHz.
- Multi-tap transformer 8 ohm & 70V/100V.
- Quick Install: Auto-locking tabs for secure, hands-free mounting.
- Easy Access: Front selector for hassle-free power adjustments.
- PK-80T accessory for versatile pendant mounting, available in white or black
- Frameless grille design, available in white or black.

DESCRIPTION

The DECO-80-T is an advanced ceiling speaker system designed for top-tier audio performance and seamless aesthetic integration. Featuring a sturdy steel enclosure and a durable polypropylene front, it provides 110° conical coverage. Engineered for adaptability, it is equipped with a 4-way Phoenix connector for easy in and out link connections. The DECO-80-T operates at 8-ohm nominal impedance or in a 100V line system, with tap settings of 15W, 30W, and 60W accessible at the front. With an RMS power handling of 125W and a peak power of 500W, and a maximum peak SPL of 121 dB, it delivers robust and clear sound.

Its compact design, with a cut-out diameter of 290 mm (11.4 in), allows straightforward installation in various ceiling environments. Measuring 321 x 321 x 220 mm and weighing 5.8 kg (12.8 lb), it strikes a balance between size, power, and aesthetic discretion. The PK-80T accessory transforms it into a pendant speaker for greater placement flexibility and sound direction, especially beneficial in open architecture spaces or areas where traditional ceiling mounting is not optimal. Available in black and white finishes, the DECO series seamlessly matches any interior design.

For optimal performance, pair the DECO-80-T with the INTEGRAL-A1002 or INTEGRAL-A1604 amplifiers. Using the Integral Matrix and processors, fully compatible with ALMA™, enhances the speakers' capabilities through custom presets and comprehensive monitoring and control, ensuring effortless system management and maximum audio quality.

The modeling data for DECO-40-T / DECO-40-LP / DECO-65-T / DECO-80-T / DECO-80-TS are valid for EASE Focus, EASE Evac, and EASE Address.

DECO-80-T

SPECIFICATIONS

Performance

Frequency Range (-10 dB)	55 Hz – 20 kHz
Nominal Impedance	8 ohms
Conical Coverage	110°
Transformer Taps 70 V	8 Ω / 7.5 W / 15 W / 30 W
Transformer Taps 100 V	8 Ω / 15 W / 30 W / 60 W
RMS Power Handling	125 W
Peak Power Handling	500 W
On-axis Sensitivity 1W/1 m	94 dB SPL
Maximum Peak SPL at 1 m	121 dB
Recommended Amplifier	INTEGRAL-A402
	INTEGRAL-A404
	INTEGRAL-A1002
	INTEGRAL-A1004
	INTEGRAL-A1602
	INTEGRAL-A1604
	INTEGRAL-MA1004
INTEGRAL-MA1604	
Recommended Processor	INTEGRAL-M88
	INTEGRAL-MA1604
	INTEGRAL-MA1004
	INTEGRAL-M26X

Connectors

Audio Input Connector	4-way Phoenix 3.8 mm
-----------------------	----------------------

DECO-80-T

DAS Audio Group, S.L. - C/ Islas Baleares 24 - 46988
Fuente del Jarro - Valencia - Spain - Tel. +34961340860
Updated (DD/MM/YYYY): 08/10/2024



SOUND WITH SOUL

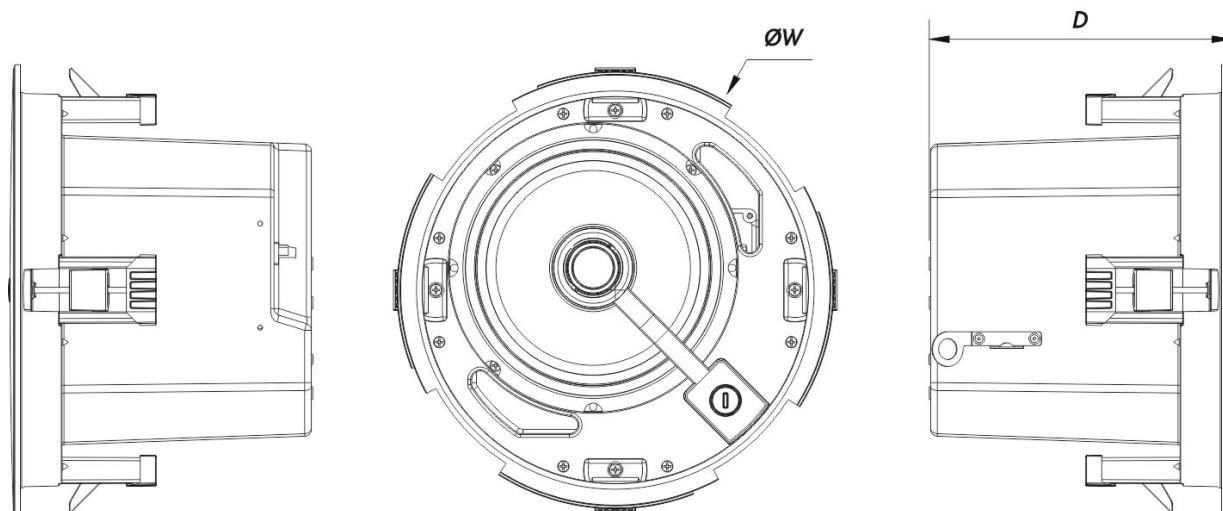
Enclosure

Enclosure Construction	Steel
Enclosure Geometry	Round
Cut Out Diameter	290 mm (11,4 in)
Depth	220 mm (8,7 in)
Dimensions (H x W x D)	321 x 321 x 220 mm 12,6 x 12,6 x 8,7 in
Net Weight	5,8 kg (12,8 lb)

Components

MF Driver	8GV
-----------	-----

DIMENSIONS



ORDERING

Model	Description	P/N
-------	-------------	-----

DECO-80-T

DAS Audio Group, S.L. - C/ Islas Baleares 24 - 46988
Fuente del Jarro - Valencia - Spain - Tel. +34961340860
Updated (DD/MM/YYYY): 08/10/2024



INFORMATION

System

DECO-80-T	10213240
-----------	----------

Replacement Parts

8GV	Cone Transducer	20208984
-----	-----------------	----------

Accessories

KIT-IP-DECO	Installation & Stacking Acc.	20301010
-------------	------------------------------	----------

PK-80T	Installation & Stacking Acc.	10213420
--------	------------------------------	----------

PK-80TW	Installation & Stacking Acc.	10213450
---------	------------------------------	----------

SP-PRE-DECO-80T	Installation & Stacking Acc.	10213302
-----------------	------------------------------	----------

DECO-80-T

DAS Audio Group, S.L. - C/ Islas Baleares 24 - 46988
Fuente del Jarro - Valencia - Spain - Tel. +34961340860
Updated (DD/MM/YYYY): 08/10/2024



SOUND WITH SOUL